

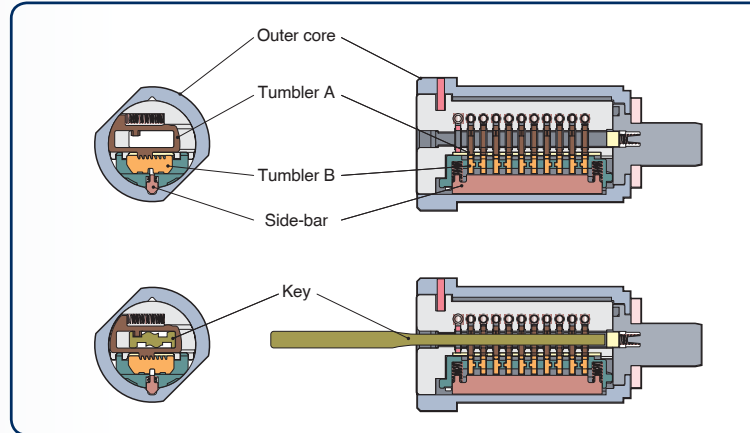
MIWA LOCKS - LS10-SERIES

LS10-Series Key Changeable Cylinder

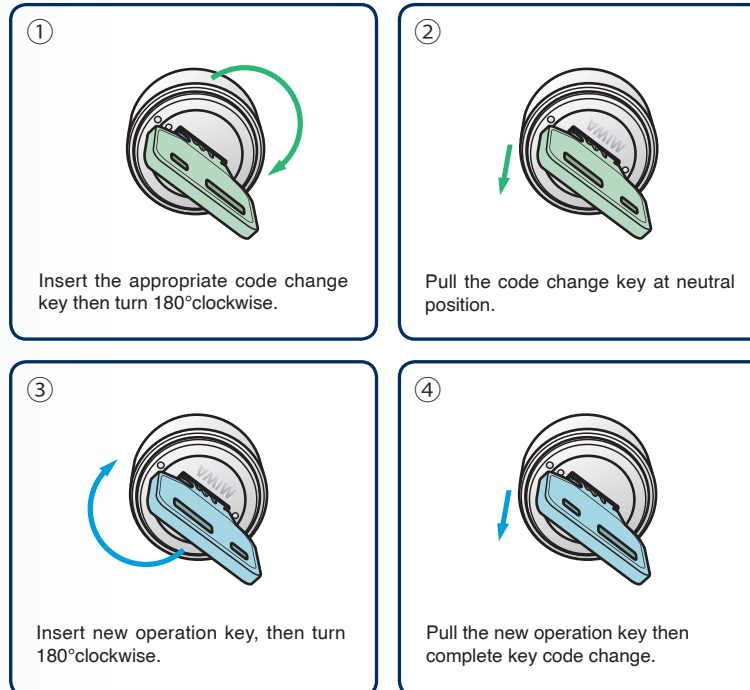
Outline of LS10-MG series

- High security cam lock with special key change mechanism for use in Vending Machines and Casino Gaming Devices
- Superior operational performance and anti-picking due to the use of sidebar Technology
- Key codes can be changed on the fly with a simple turn of the old and then the new change keys
- Lock dimensions are based on the Japan Vending Machine Manufacturers Association Standard S size, and also fits the U.S. Double "D" cut for Gaming Machines
- Easy operation of keys with almost no binding on insertion and removal, thus reducing key wear and extending product life
- Both Keys and Locks can be serial stamped for simple tracking and auditing
- When changing the key code on the lock, the tail and cam remain in the locked position, thus maintaining security and improving efficiency
- Locks are shipped with an "off-floor" code for lockable functionality during set-up or EGM factory installation and ready for immediate code change

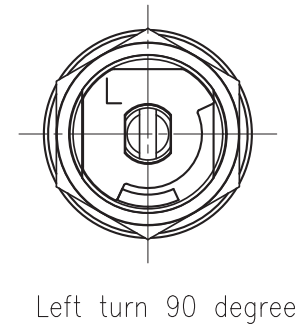
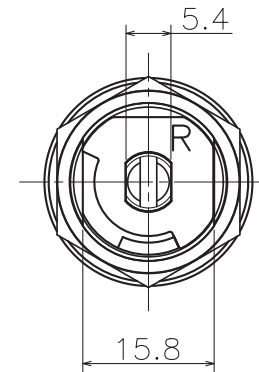
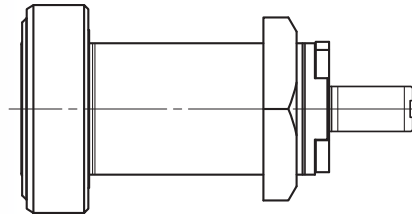
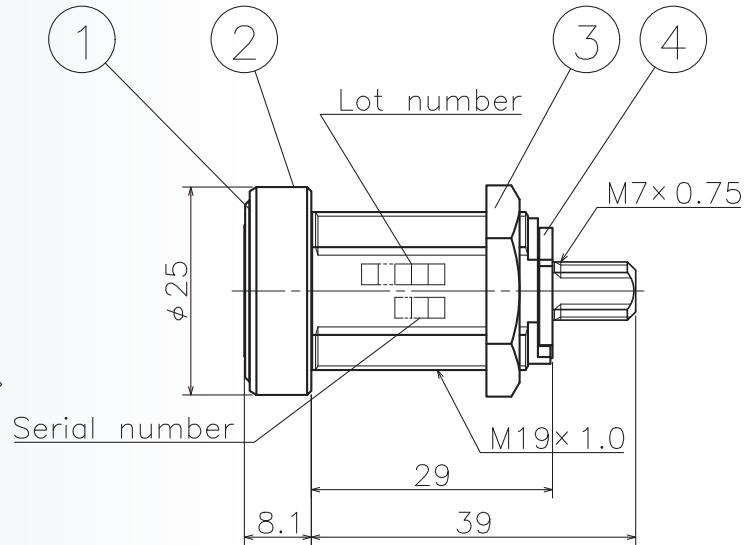
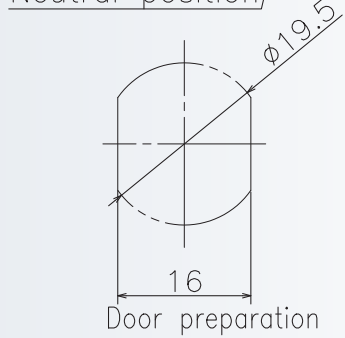
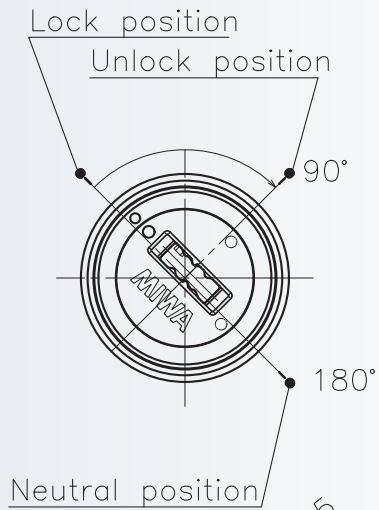
Mechanical structure



Easy 4 - step process for key changing



MIWA LOCKS - LS10-SERIES



No.	Parts name	Main material	Main finish
1	Cylinder	Zinc Die-cast	Chrome plating
2	Collar Ring		
3	Mount nut M19	Zinc Die-cast	Trivalent chrome
4	Stop cam	Steel	Trivalent chrome

Key face



Satin Chrome



Satin Gold
(Special Order)



MIWA LOCKS - LS10-SERIES

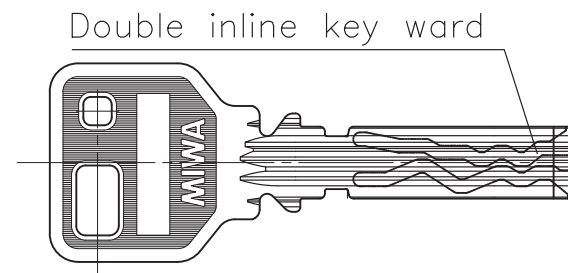
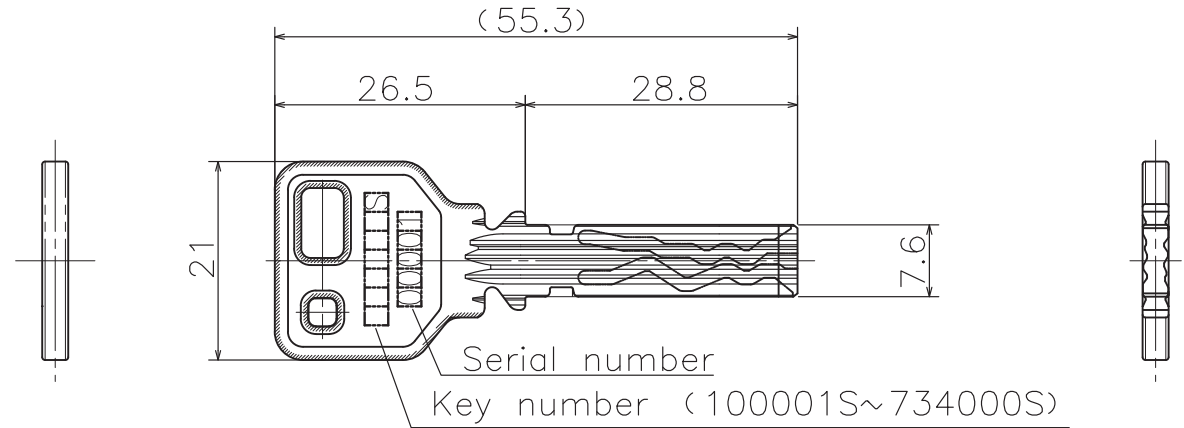
Mechanical specification

Cylinder

- Disk tumbler method with side bar (10 lines tumbler, 4 different increment)
- Practical key combinations: Approx 650,000
- Turning direction (R or L) can be changed in the field

Key

- Patented key ward prevents unauthorized key duplication
- User friendly reversible key for easy insertion
- Keys are made of nickel-silver for increased durability
- User friendly reversible key for easy insertion



MIWA LOCKS - LS10 SERIES



PAD LOCK -MGCYLPL2

1.5" Spring Latch



PUSH LOCK -MGCYLPV



MIWA LOCKS - LS10 SERIES



CABINET LOCK -1WP / 2WP



Cabinet Lock with Spring Latch



Electric Switch tail



SWITCH LOCK TAIL ACCESSORY -JP RESET -ON/OFF



SWITCH LOCK TAIL ACCESSORY -AUDIT -ON/OFF/ON



MIWA LOCKS - LS10 SERIES

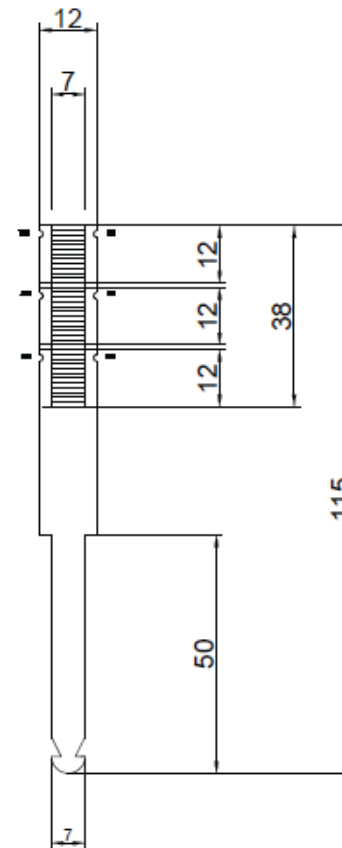


ROULETTE PIN AND RECEIVER

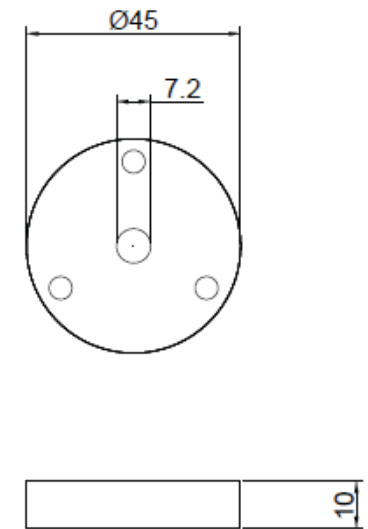


SLAM PINS AND RECEIVER

115mm PIN
1.5" INTERNAL THREADED
7mm TIP



DISC
10MM (T)



MIWA LOCKS - LS10 SERIES



COLLARS / SPACER RINGS



TAIL NUT / STOP CAM -LEFT & RIGHT / BARREL NUT



FLANGED ADAPTOR



180 DEGREE STOP CAM



SPUR ANCHOR PLATE / FLAT ANCHOR PLATE



FLAT CAMS - 3/4" - 7/8" - 1-1/8"



OFFSET CAMS - 1-3/4" - 2"

